

POWER GEAR SLIDE-OUT MANUAL



Operation Guide

**BEDROOM SLIDE-OUT SYSTEM FOR
AMERICAN COACH PRODUCTS**

82-S0300-01 Rev. 0

AMERICAN COACH SLIDE-OUT MANUAL BEDROOM SYSTEM

TABLE OF CONTENTS

<u>SECTION</u>	<u>PAGE</u>
System Description	3
Your Slide-Out Controller	4
How to Operate Your Slide-Out	4
Overriding Your Slide-Out System	6
Preventative Maintenance	7
Owner's Trouble Shooting Guide	8
Parts Ordering Information	9
Power Gear Limited Warranty	10

ILLUSTRATIONS

<u>DIAGRAM</u>	<u>PAGE</u>
Controller
4	
Control Panel	5
System Layout	6

***NOTE : Advanced trouble shooting and repair should only be done by an authorized Fleetwood dealer. Repairs performed by Owner may void warranty.**

FORWARD

The Power Gear™ electric slide-out system for your coach is designed to give you years of trouble free operation. Read, study, and understand this manual before operating your slide-out system.

SYSTEM DESCRIPTION

Your Power Gear slide-out system consists of the following major components:

- 1) The Drive Assembly, which includes the drive motor.
- 2) One Slide-out Assembly. The side unit includes the rack-and-gear transmissions.
- 3) A specially designed control that gives the user full control of the room movement, in or out, and which includes a load sensing capability which stops the motor when the room has reached it's final position.
- 4) A key-cutout switch, to prevent accidental use of the slide-out system, incorporated into the electronics, as well as a motion alarm to alert those around the slide-out room when it is moving.

! CAUTION !

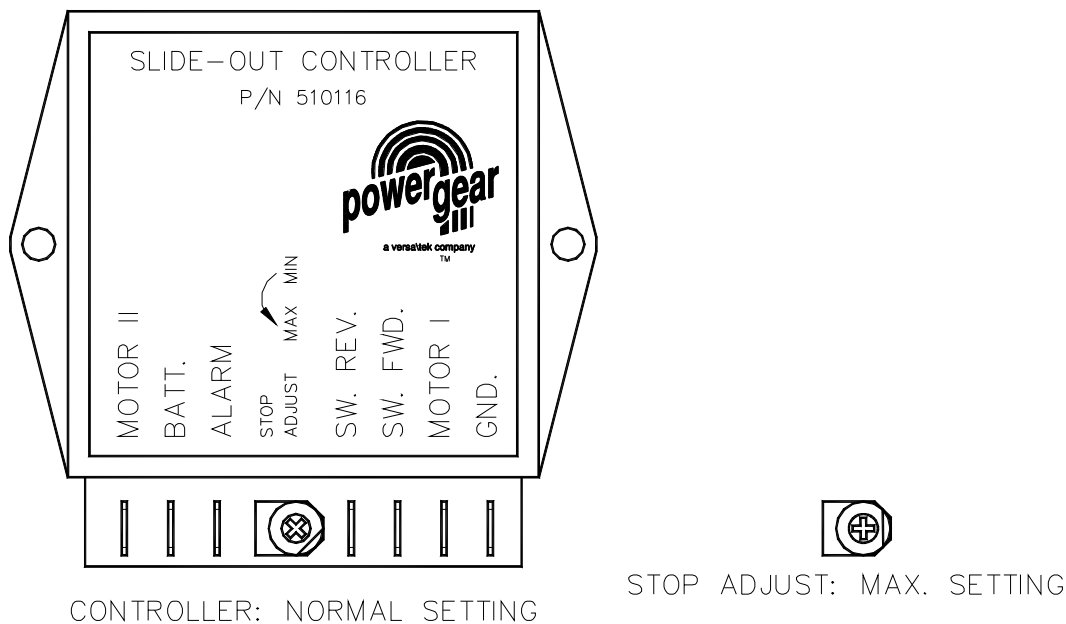
ALWAYS MAKE SURE THAT THE COACH IS RESTING ON THE LEVELING JACKS AND IT IS LEVEL BEFORE OPERATING THE SLIDE-OUT ROOM.

! WARNING !

ALWAYS MAKE SURE THAT THE ROOM PATH IS CLEAR OF PEOPLE AND OBJECTS BEFORE OPERATING.
ALWAYS KEEP AWAY FROM THE SLIDE RAIL WHEN THE ROOM IS IN MOTION. THE GEAR RACK MAY PINCH OR CATCH ON LOOSE CLOTHING, CAUSING PERSONAL INJURY.

FAILURE TO FOLLOW THESE INSTRUCTIONS COULD RESULT IN SERIOUS INJURY.

YOUR SLIDE-OUT CONTROLLER



The slide-out control unit for your slide-out system is located in the basement compartment. This unit is controlled by the switch panel located in the bedroom area. It activates both the motor and the slide-out alarm when the switch panel is operated. It also limits the amount of power the drive motor can draw, shutting off the system when the motor load exceeds the control's setting.

CAUTION: This control has an adjustment that allows for a wide range of power settings. If this adjustment is set too high, damage to the room seal flanges can result. Please note the adjusting screw's normal setting, and do not exceed the maximum setting.

HOW TO OPERATE YOUR SLIDE-OUT

BEFORE YOU OPERATE YOUR POWER GEAR SLIDE-OUT SYSTEM:

- (1) Make sure the path for the room to move is clear.
- (2) Make sure the coach rests on all of the leveling jacks.
- (3) Check to see that the coach is level.
- (4) Check the parking brake. Make sure it is ENGAGED.

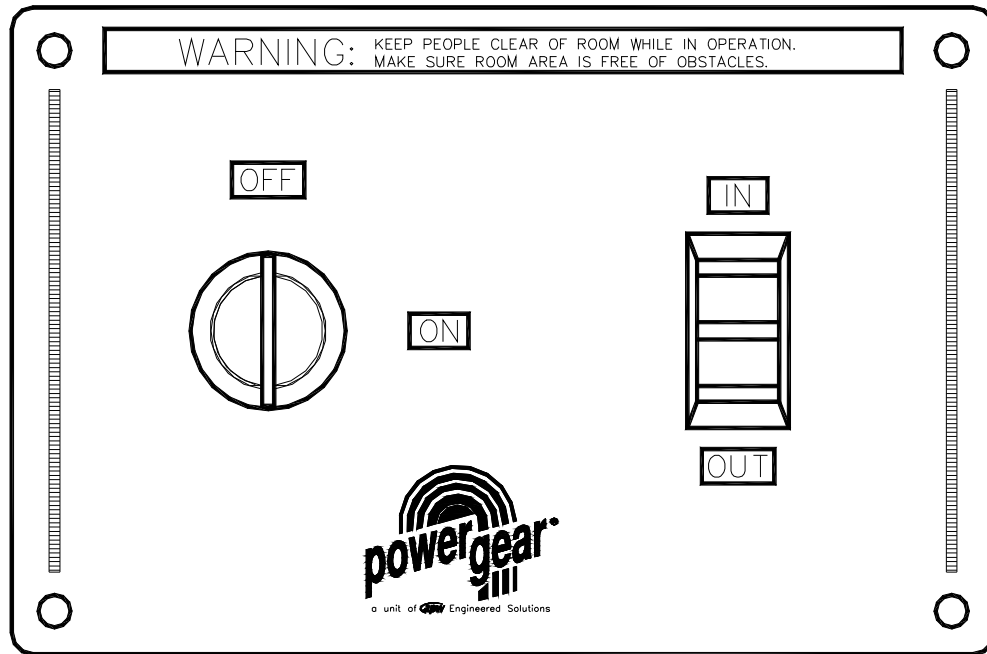
EXTENDING THE ROOM

STEP 1 - Turn the slide-out system key switch to ON.

STEP 2 - Press and hold the room direction switch in the OUT position until the room is fully extended and stops moving. The control will automatically shut off the motor, locking the room in place.

STEP 3 - Release the switch and turn the slide-out system key to OFF. To prevent unintentional slide-out activation, remove the key from the key switch.

CONTROL PANEL



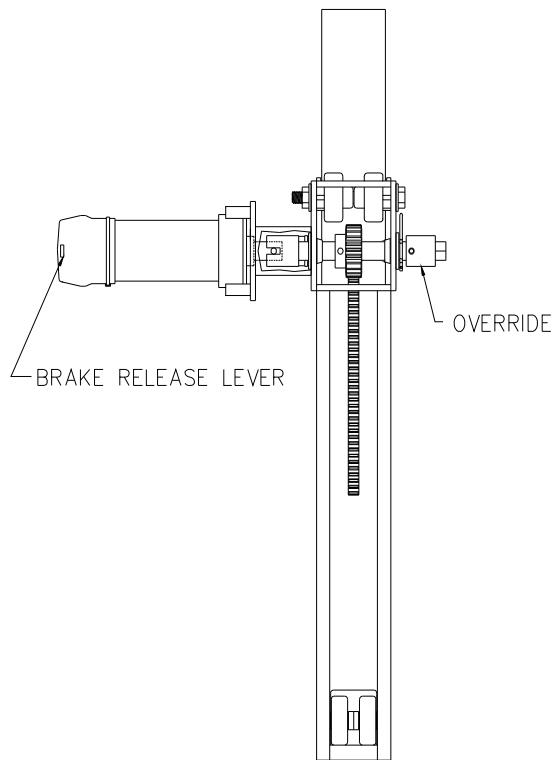
RETRACTING THE ROOM

STEP 1 - Turn the slide-out system key switch to ON.

STEP 2 - Press and hold the switch in the IN position until the room is fully retracted and stops moving. The control will sense that the room has stopped and will automatically shut off the motor, locking the room in place.

STEP 3 - Release the switch and turn the slide-out system key to OFF. To prevent unintentional slide-out activation, remove the key from the key switch.

System Layout



OVERRIDING YOUR SLIDE-OUT SYSTEM

Your Power Gear slide-out system has a manual override attached. This allows you to extend or retract your slide-out room in the event of a loss of power.

If your slide-out room will not move when the switch is pressed, consult the trouble shooting section of this manual before using the manual override. If the options listed there fail, then follow the simple steps below to move your room by hand.

TOOLS REQUIRED: A $\frac{3}{4}$ " box wrench or $\frac{3}{4}$ " socket with a $\frac{1}{2}$ " socket drive is recommended, though any style will do.

STEP 1 – Shift the brake release lever on the motor to **RELEASE**.

STEP 2 – Disconnect the motor power leads at the slide-out controls.

STEP 3 – Locate the override coupling, and turn the coupling CLOCKWISE to retract the room.

STEP 4 - Shift the brake release lever on the motor to ENGAGE.

STEP 5 - Reconnect the motor power leads at the slide-out controls.

! WARNING !

THE MOTOR BRAKE MUST BE ENGAGED WHEN TRAVELING OR WHEN THE ROOM IS TO STAY IN THE RETRACTED OR EXTENDED POSITION.

PROPERTY DAMAGE OR INJURY MAY RESULT IF THE BRAKE IS NOT ENGAGED.

PREVENTATIVE MAINTENANCE

Your Power Gear slide-out system is designed to require no preventative maintenance. Disassembly of your slide-out system or removal of any component from the coach is not required or recommended.

OWNER'S TROUBLE SHOOTING GUIDE

Room does not move when the toggle switch is pressed

- Key switch is off.
- Turn key switch On.
- Parking brake is not engaged.
- Engage parking brake.
- Battery is not charged.
- Charge battery.
- Other
- Contact American Coach Service

Room does not seal fully in extend or retract.

- Batteries are not fully charged.
- Check batteries for full charge: charge if necessary.
- Motor is not supplied with enough power.
- Turn the controller stop adjust 1/8 of a turn.
- Note: Do not exceed maximum setting. Contact American Coach service if you have reached the maximum setting and still have sealing problems.**
- Other
- Contact American Coach service.

PARTS ORDERING INFORMATION

When ordering parts, please provide the following information:

- 1) Your Name
- 2) Your Company's Name
- 3) Your Phone Number
- 4) Your Shipping Address
- 5) Your Billing Address
- 6) The Purchase Order Number
- 7) The Coach Model Number

For each part needed, please provide:

- 1) The Part Number
- 2) The Part Description
- 3) The Quantity Required

POWER GEAR LIMITED WARRANTY

Power Gear warrants to the original retail purchaser that the product will be free from defects in material and workmanship for a period of two (2) years following the retail sales date. Power Gear will, at its option, repair or replace any part covered by this limited warranty which, following examination by Power Gear or its authorized distributors or dealers, is found to be defective under normal use and service. No claims under this warranty will be valid unless Power Gear or its authorized distributor or dealer is notified in writing of such claim prior to the expiration of the warranty period. Warranty is non-transferable.

THIS WARRANTY SHALL NOT APPLY TO:

- Failure due to normal wear and tear, accident, misuse, abuse, or negligence.
- Products which are modified or altered in a manner not authorized by Power Gear in writing.
- Failure due to misapplication of product.
- Telephone, telegraph, teletype or other communication expenses.
- Living or travel expenses of person performing service.
- Overtime labor.
- Failures created by improper installation of the product's slideout system or slideout room to include final adjustments made at the plant for proper room extension/retraction; sealing interface between slideout rooms and side walls; synchronization of inner rails; or improper wiring or ground problems.
- Failures created by improper installation of leveling systems, including final adjustments made at the plant, or low fluid level, wiring or ground problems.
- Replacement of normal maintenance items including lubricants and fuses.

There is no other express warranty other than the foregoing warranty. THERE ARE NO IMPLIED WARRANTIES OF MERCHANTABILITY OR FITNESS FOR A PARTICULAR PURPOSE. IN NO EVENT SHALL POWER GEAR BE LIABLE FOR ANY INCIDENTAL OR CONSEQUENTIAL DAMAGES. This warranty gives you specific legal rights, and you may also have other rights which vary from state to state. Some states do not allow the limitations of implied warranties, or the exclusion of incidental or consequential damages, so the above limitations and exclusions may not apply to you.

For service contact your nearest Power Gear authorized warranty facility or call 1-800-334-4712. Warranty service can be performed only by a Power Gear authorized service facility. This warranty will not apply to service at any other facility. At the time of requesting warranty service, evidence of original purchase date must be presented.

Power Gear, a unit of APW Engineered Solutions
950 Green Valley Road, P.O. Box 695
Beaver Dam, WI 53916-0695
800/334-4712